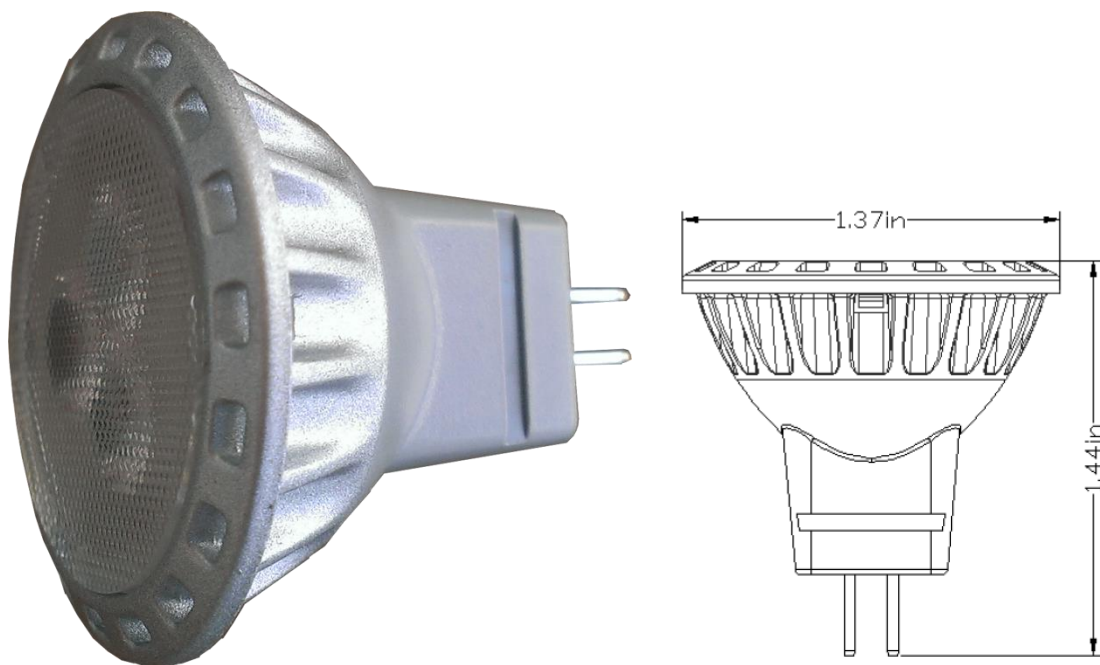




## EV-LED-MR11-110LM

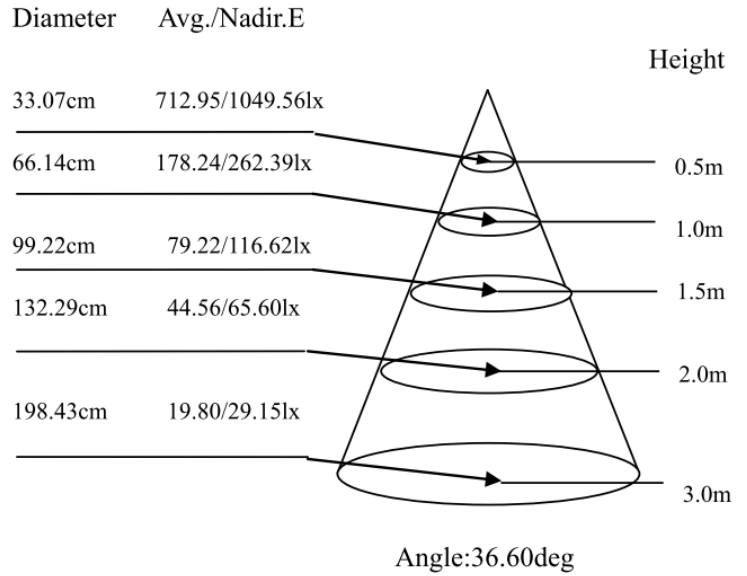
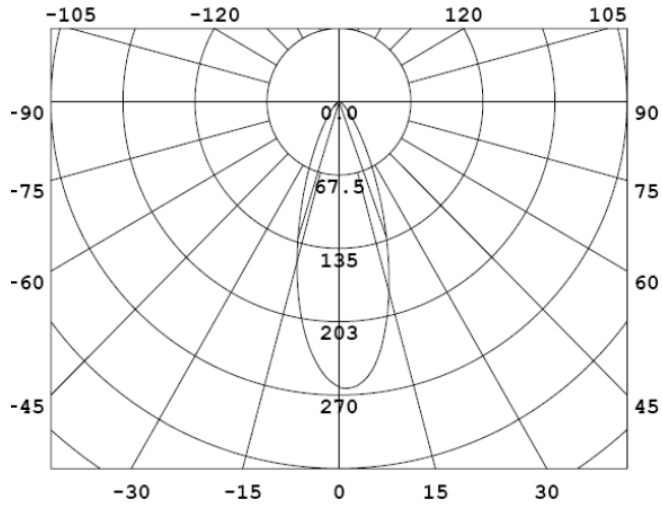
LED 2W 110LM MR11 GU5.3 12V AC/DC Lamp Bulb

- 2W, 12V AC/DC, GU5.3, MR11, LED Lamp
- Equivalent to 20W Halogen, with 85% Energy saving
- Luminous flux: >170LM, 30 degree spread
- Color temperature: 2800K-3000K, Warm-white, or 4500K Neutral White
- No UV or IR radiation, low heat
- Size: 1.37" (34.8mm) x 1.44" (36.6 mm) (inc GU5.3 Pins)
- Light source: 3 x SMD5630, high power LED
- Life: 50,000 hours, min 70% of initial output.
- Shell material: aluminum alloy, with thermal separation design
- Working temperature: less than -25 to 40°C
- 1 year warranty





3000K Warm White



4500K Neutral White

