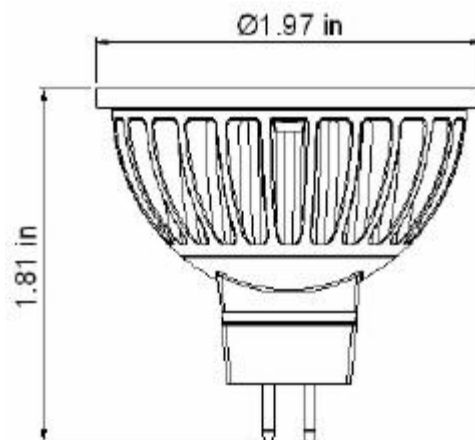




EV-LED-MR16-200LM

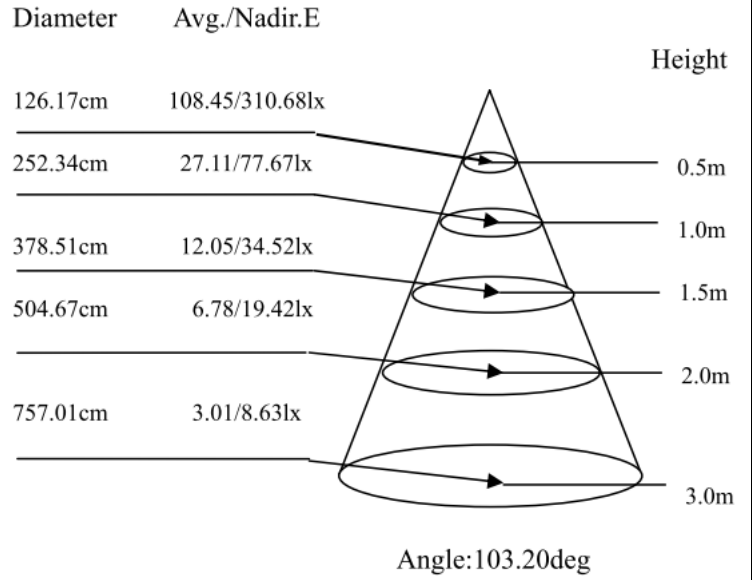
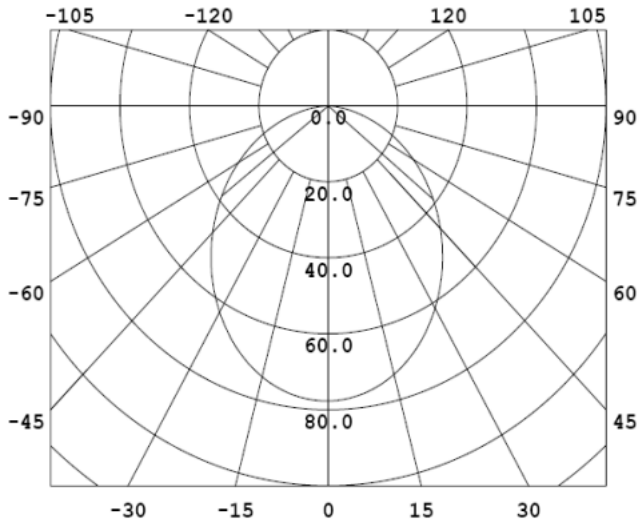
LED 5W MR16 GU5.3 12V AC/DC Lamp Bulb

- 5W, 12V AC/DC GU5.3 MR16 LED Lamp
- Equivalent to 35W Halogen, with 85% Energy saving
- Luminous flux: >230LM, 120 degree spread
- Color temperature: 2800K-3000K, Warm-white, or 4500K Neutral White
- No UV or IR radiation, low heat
- Size: 1.97" (50.0mm) x 1.81" (46.0 mm) (inc GU5.3 Pins)
- Light source: 6 x SMD5630, high power LED
- Life: 50,000 hours, min 70% of initial output.
- Shell material: aluminum alloy, with thermal separation design
- Working temperature: less than -25 to 40°C
- 1 year warranty





3000K Warm White



4500K Neutral White

